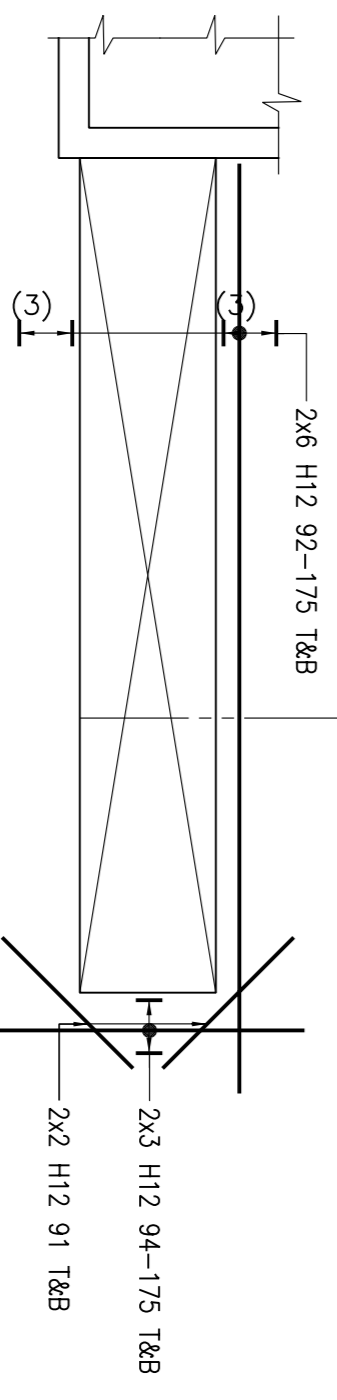
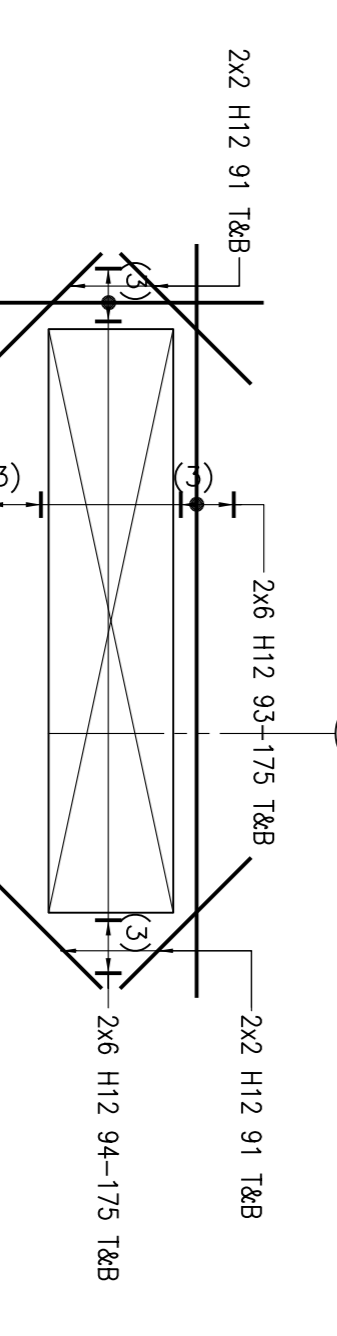


DETAIL-A
SCALE 1:50



DETAIL-B
SCALE 1:50



RC DETAILS OF FIRST FLOOR SLAB
SCALE 1:50



SECTION 1-1
SCALE 1:50

Notes

- THIS DRAWING IS TO BE READ IN CONJUNCTION WITH ALL OTHER RELEVANT ENGINEER'S, ARCHITECT'S AND SPECIALIST DRAWINGS AND THE SPECIFICATION.
- FIGURED DIMENSIONS ONLY TO BE USED. ANY QUERIES OR DISCREPANCIES TO BE REFERRED TO THE ENGINEERS IMMEDIATELY.
- THIS DRAWING MUST NOT BE SCALED.
- ALL DIMENSIONS ARE TO BE CHECKED BY THE CONTRACTOR BEFORE WORK COMMENCES ON SITE.
- CONCRETE TO BE GRADE ROAD.
- ALL REINFORCEMENT IS TO BE HIGH YIELD STRENGTH REINFORCEMENT ($f_y = 500 \text{ N/mm}^2$) OF DEFORMED TYPE 2 BOND CLASSIFICATION.
- COVER TO REINFORCEMENT TO BE AS FOLLOWS :-
SLAB :- 30 mm = TOP, BOTTOM & SIDES
WALLS :- = 25 mm SIDES
UNLESS NOTED OTHERWISE
- MINIMUM LAP LENGTH SHOULD BE AS FOLLOWS
UNLESS NOTED OTHERWISE:
T10 = 350mm T16 = 650mm T32 = 1300mm
T12 = 500mm T20 = 800mm T40 = 1800mm
- ALL REINFORCEMENT DETAILED ON THIS IS LISTED ON BENDING SCHEDULE :- 512 - 01 TO 03 INC.
- REBAR CALL UP
no. of bars bar dia spacing
152 - H16 - 01 - 175 - B1
- 12 LEGEND :-
T = TOP
B = BOTTOM
E = EXTERIOR FACE
S = SIDE FACE
COL = COLUMN
UB = U BARS
- 11 BARS TO BE SURFACE ADJUSTED/CUT AROUND CUTOUTS TO SUIT AT SITE.
- 12 LIT = LONG LEG AT TOP
LBT = LONG LEG AT BOTTOM
REIN = REINFORCEMENT
SSIL = STRUCTURAL SLAB LEVEL
TOP = TOP OF CONCRETE
ALT = ALTERNATE PLACED
SIG = SIGNATURED

ANNOTATION OF LAYER

READ THIS DRAWING ALONG WITH :-
2367_105
FIRST FLOOR LAYOUT

REV	DATE	PARTICULARS	SIGN
P1	22/04/07	ISSUED FOR APPROVAL	

CLIENT

ARCHITECT

THIS DRAWING IS THE PROPERTY AND COPYRIGHT OF SHASME CONSULTANTS PVT. LTD. IT SHALL NOT BE COPIED OR REPRODUCED IN ANY MANNER, WHETHER EXACT AND SHALL BE USED ONLY FOR THE PROJECT ISSUED FOR. THIS DRAWING IS TO BE EXECUTED ON SITE SUBJECT TO APPROVAL OF COMPETENT AUTHORITY.

PROJECT

PARTICULARS

RC DETAILS OF FIRST FLOOR SLAB

SHASME DESIGN CONSULTANTS PVT. LTD.
INDORE HOUSE 3rd FLOOR,
29, S. A. SHELVI ROAD, SOBAW-1,
PH: 2266 1241, 2266 1212/ 1245
E-MAIL: p1@shasme.com
Website: www.shasme.com

DRAWN BY	CHK	JOB No.
22/04/07	AKH	2367

DATE	SCALE	DRAWING No.
22/04/07	1:50	512

REV	DATE	BY
P1		

Notes

- THIS DRAWING IS TO BE READ IN CONJUNCTION WITH ALL OTHER RELEVANT ENGINEER'S, ARCHITECT'S AND SPECIALIST DRAWINGS AND THE SPECIFICATION.
- FIGURED DIMENSIONS ONLY TO BE USED. ANY QUERIES OR DISCREPANCIES TO BE REFERRED TO THE ENGINEERS IMMEDIATELY.
- THIS DRAWING MUST NOT BE SCALED.
- ALL DIMENSIONS ARE TO BE CHECKED BY THE CONTRACTOR BEFORE WORK COMMENCES ON SITE.
- CONCRETE TO BE GRADE ROAD.
- ALL REINFORCEMENT IS TO BE HIGH YIELD STRENGTH REINFORCEMENT ($f_y = 500 \text{ N/mm}^2$) OF DEFORMED TYPE 2 BOND CLASSIFICATION.
- COVER TO REINFORCEMENT TO BE AS FOLLOWS :-
SLAB :- 30 mm = TOP, BOTTOM & SIDES
WALLS :- = 25 mm SIDES
UNLESS NOTED OTHERWISE
- MINIMUM LAP LENGTH SHOULD BE AS FOLLOWS
UNLESS NOTED OTHERWISE:
T10 = 350mm T16 = 650mm T32 = 1300mm
T12 = 500mm T20 = 800mm T40 = 1800mm
- ALL REINFORCEMENT DETAILED ON THIS IS LISTED ON BENDING SCHEDULE :- 512 - 01 TO 03 INC.
- REBAR CALL UP
no. of bars bar dia spacing
152 - H16 - 01 - 175 - B1
- 12 LEGEND :-
T = TOP
B = BOTTOM
E = EXTERIOR FACE
S = SIDE FACE
COL = COLUMN
UB = U BARS
- 11 BARS TO BE SURFACE ADJUSTED/CUT AROUND CUTOUTS TO SUIT AT SITE.
- 12 LIT = LONG LEG AT TOP
LBT = LONG LEG AT BOTTOM
REIN = REINFORCEMENT
SSIL = STRUCTURAL SLAB LEVEL
TOP = TOP OF CONCRETE
ALT = ALTERNATE PLACED
SIG = SIGNATURED

ANNOTATION OF LAYER

READ THIS DRAWING ALONG WITH :-
2367_105
FIRST FLOOR LAYOUT

REV	DATE	PARTICULARS	SIGN
P1	22/04/07	ISSUED FOR APPROVAL	

CLIENT

ARCHITECT

THIS DRAWING IS THE PROPERTY AND COPYRIGHT OF SHASME CONSULTANTS PVT. LTD. IT SHALL NOT BE COPIED OR REPRODUCED IN ANY MANNER, WHETHER EXACT AND SHALL BE USED ONLY FOR THE PROJECT ISSUED FOR. THIS DRAWING IS TO BE EXECUTED ON SITE SUBJECT TO APPROVAL OF COMPETENT AUTHORITY.

PROJECT

PARTICULARS

RC DETAILS OF FIRST FLOOR SLAB

SHASME DESIGN CONSULTANTS PVT. LTD.
INDORE HOUSE 3rd FLOOR,
29, S. A. SHELVI ROAD, SOBAW-1,
PH: 2266 1241, 2266 1212/ 1245
E-MAIL: p1@shasme.com
Website: www.shasme.com

DRAWN BY	CHK	JOB No.
22/04/07	AKH	2367

DATE	SCALE	DRAWING No.
22/04/07	1:50	512

REV	DATE	BY
P1		